

# RIVIERA

Ceiling lamp. The glass twists and locks into place. Diffuser in opal blown glass and base in white epoxy-coated metal.



## TWIST ? 30 E27 FLUO/LED/HALO

---

### LAMPING

Source	E27 A60
Total power	2x75W
Emission	diffused
Switching	dimnable, according to bulb
Tension	230V
Ip class	20
Materials	metal + glass

### Codes

RII EWW 42

### Structure

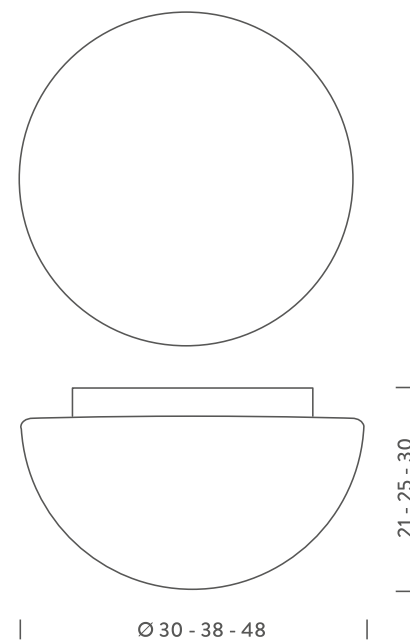
white

### PACKAGE

Package 01

40x40x42 cm / Gross weight: 4 Kg

### Certificazioni



## TWIST ? 38 E27 FLUO/LED/HALO

---

### LAMPING

Source	E27 A60
Total power	2x75W
Emission	diffused
Switching	dimnable, according to bulb
Tension	230V
Ip class	20
Materials	metal + glass

### Codes

RII EWW 43

### Structure

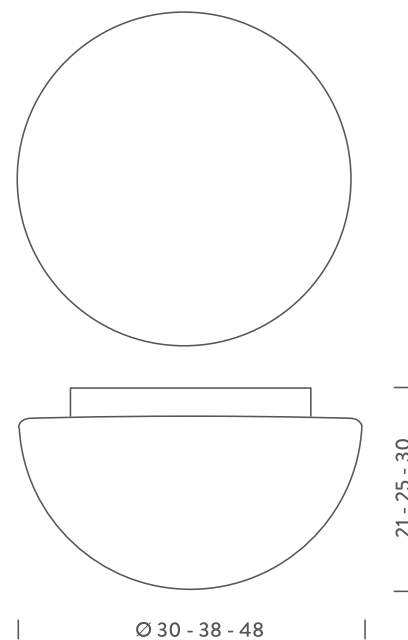
white

### PACKAGE

Package 01

55x55x35 cm / Gross weight: 5.2 Kg

### Certificazioni



## TWIST ? 48 E27 FLUO/LED/HALO

---

### LAMPING

Source	E27 A60
Total power	3x60W
Emission	diffused
Switching	dimnable, according to bulb
Tension	230V
Ip class	20
Materials	metal + glass

### Codes

RII EWW 44

### Structure

white

### PACKAGE

Package 01

60x60x60 cm / Gross weight: 9.9 Kg

### Certificazioni

